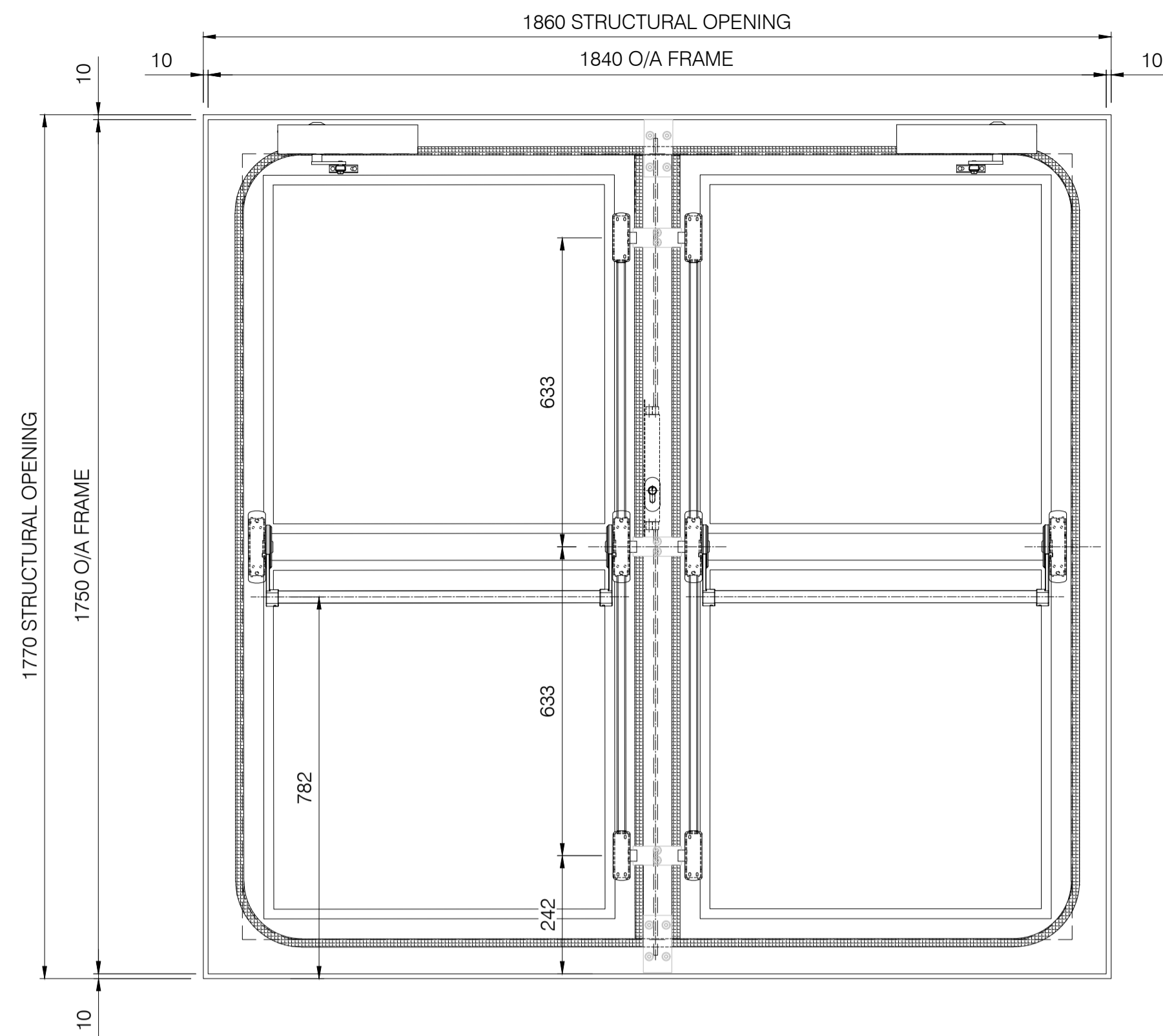
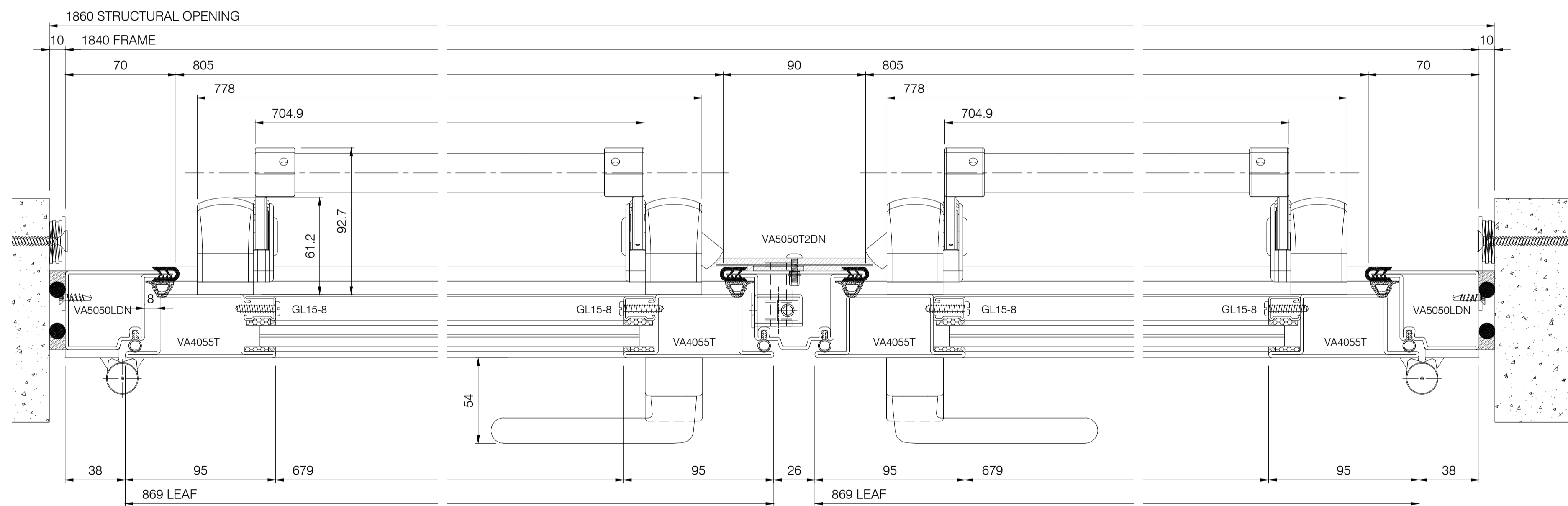


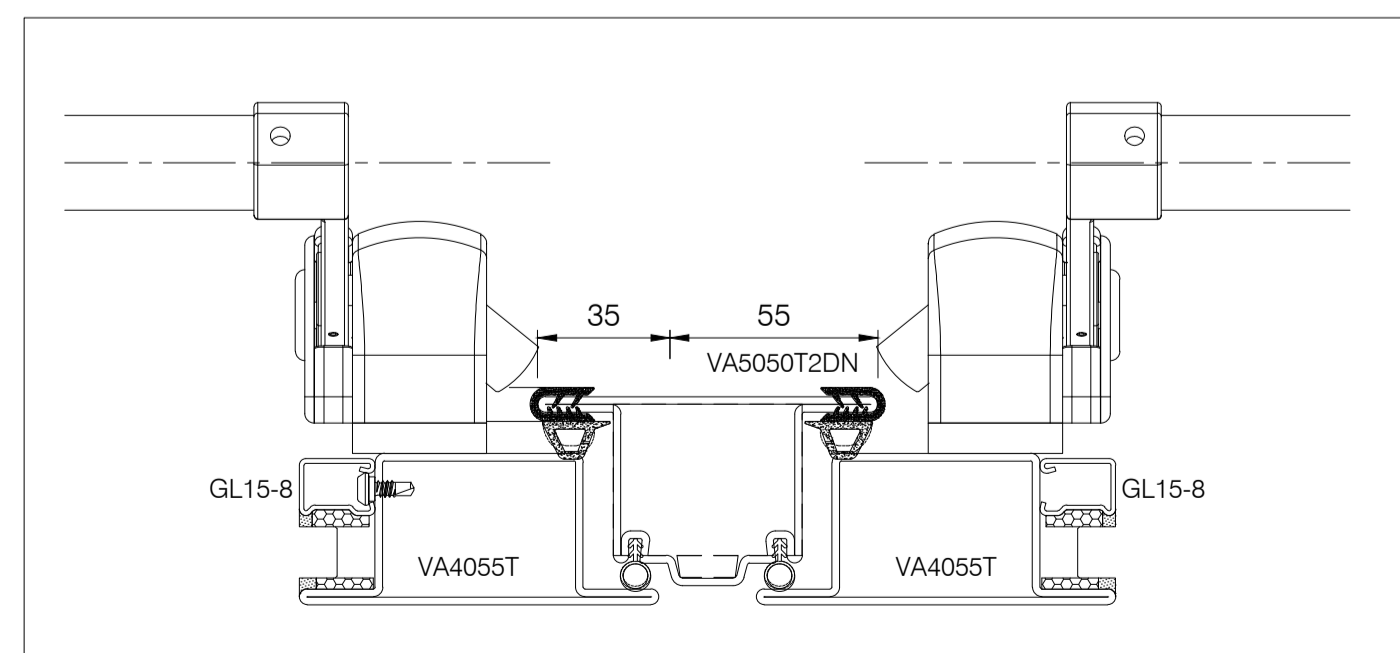
EXTERNAL VIEW
SCALE 1:10



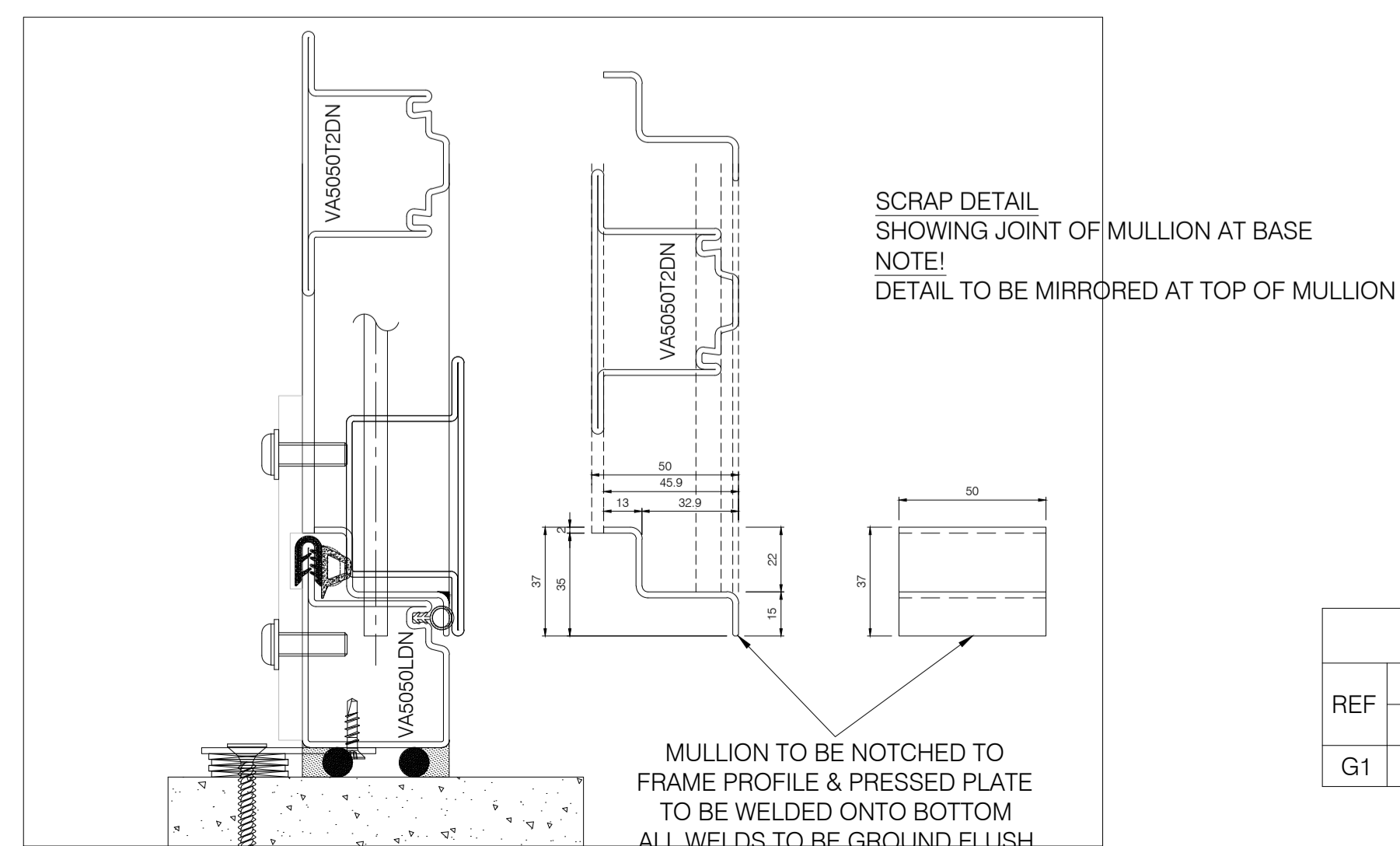
INTERNAL VIEW
SCALE 1:10



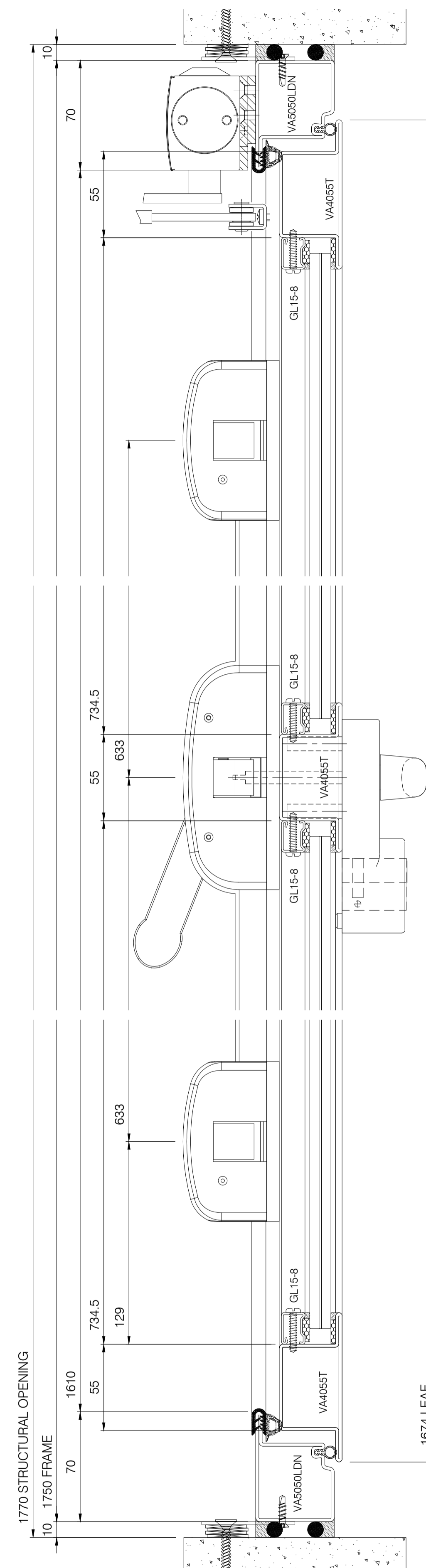
2 SECTION B-B
Scale: 1:2



SCRAP DETAIL
SHOWING ARRANGEMENT OF 2
POINT KDI LOCKING IN MULLION



SCRAP DETAIL
SHOWING JOINT OF MULLION AT BASE
NOTE!
DETAIL TO BE MIRRORED AT TOP OF MULLION



1 SECTION A-A
Scale: 1:2

GLASS SIZES				
REF	GLASS SIZE (mm)	kg/m ³	WEIGHT (kg)	QTY
	WIDTH	HEIGHT		
G1				4

1No OFF REQUIRED			
DOOR / SCREEN TAG REFERENCES			
FRAME N°	TAG REF	FLOOR LV	QTY
DOOR 01	D1	-	1
FRAME 01	F1	-	1
FRAME 02	F2	-	1

THIS DRAWING IS ISSUED TO THE CONDITION THAT IT IS NOT COPIED, REPRODUCED OR DISTRIBUTED IN WHOLE, IN PART OR USED IN ANYWAY DETRIMENTAL TO THE INTERESTS OF THE FLOOD COMPANY © .

FAILURE TO INSPECT, ACCEPT/COMMENT & SIGN OFF ALL COMPLETED FIRE RATED GLAZING WORKS ONCE INSTALLED BY BOTH PARTIES, WILL PREVENT THE ISSUE OF A FIRAS CERTIFICATE OF CONFORMITY FOR THE WORKS.

DO NOT SCALE FROM THIS DETAIL, IF IN DOUBT ASK.

Notes:

FOR ALL FIRE RATED SCREENS AND DOORS ALL BEAD STUDS TO BE REMOVED BEFORE PAINTING CORNER STUDS TO BE REPLACED ONLY AFTER PAINTING

CONTRACT SUPPLY AND DELIVER

LOCATION	EXTERNAL
SYSTEM	VOEST ALPINE 50 & 40 MILD STEEL SECTIONS
FINISH	PPC RAL 7016 (ANTHRACITE GREY) MATT
GLAZING	13.5mm CLEAR TOUGHENED LAMINATE 3x15mm (EXT) & 5x15mm (INT) BLACK GLAZING TAPES AROUND FRAME REBATE TO BE BLACK SILICONE POINTED TO BOTH SIDES. MANIFESTATION IF REQUIRED BY OTHERS

HARDWARE

REF No.	DESCRIPTION	Qty
KO40-180-3D	WELD ON HINGE	6
441	SECURITY BOLT	2
PH357	3 POINT PANIC PUSH BAR (INT)	2
ARK-FDP1	THE FLOOD COMPANY PACKING PLATE	4
ARK-FDP2	THE FLOOD COMPANY PACKING PLATE	4
ARK-FDL1	THE FLOOD COMPANY LATCH PLATE	6
PH361	LOCK / LEAVER HANDLE (EXT)	2
102789	GEZE TS4000 CLOSER, SILVER	2
102421	GEZE TS4000 LINK ARM, SILVER	2
ARK-FDCP1	THE FLOOD COMPANY, ALUMINIUM CLOSER MOUNTING PLATE	2
2253-30	2 POINT KDI LOCK	1
	40mm HALF KEYED EURO CYLINDER	1
	ESCUTCHEON PLATE - 3mm S/S	

GASKETS

INTERNAL THE FLOOD COMPANY PERIMETER

EXTERNAL THE FLOOD COMPANY EXTERNAL

FIXINGS FRAME TO STRUCTURE PREPARE FOR Ø8mm FIXINGS THROUGH STRAPS FIXED INTO FRAME USING M4 CSK TEK SCREWS AT NOMINAL 500mm CTRS.

FIXING NOTES:

THE FLOOD COMPANY TO SUPPLY SINGLE DOOR SET, BLACK GLAZING TAPES, GREY SILICONE, BACKER ROD, FIXING STRAPS, PACKERS & FIXINGS. INSTALLER(S) TO ENSURE THE SCREEN IS FIT INTO A SUITABLE OPENING. ALL TOLERANCE PERIMETER GAPS TO FILLED WITH 10mm BLACK BACKER ROD AND SEALED WITH GREY SILICONE.

NO BARRIER LOADINGS OR STRUCTURAL CALCULATIONS SPECIFIED.

Rev.	DB	CK	COMMENT.	DATE.

The Flood Company
THE FLOOD COMPANY COMMERCIAL LTD
 UNIT 5, RIVERSIDE MILLS
 SADDLEWORTH ROAD
 ELLAND
 HX5 0RY
 LANDLINE
 +44 (0)1484 505509

DWG TITLE DOUBLE FLOOR RESISTANT DOOR
NEW DESIGN

JOB REFERENCE

CUSTOMER THE FLOOD COMPANY

ISSUE TYPE PRELIMINARY DATE 01.02.2018

SCALE 1:2 & 1:10 PAPER A1

DRAWN BY BL CHECKED BY

JOB No. DWG. No. Rev.

24281 - NTD-D-001 -